

beads of sealant to seal perimeters of all sound-rated partitions. Apply sealant in the angles formed by metal components or base-layer panels and abutting surfaces. Apply sealant around all openings formed for outlets; electrical, telephone, light fixtures, etc.

**Tooling:** Tool material flush with surfaces to allow for expected shrinkage and insure good contact and adhesion to the substrate.

**Cleaning:** Remove excess material with water or a damp cloth before it cures. Sealant may be painted within 30 minutes after application with a good grade of latex paint.

**Shelf Life:** AC-20 FTR® has a shelf life well in excess of one year when stored in unopened containers below 80° F (27°C).

**Precautions:** AC-20 FTR® is non-flammable, non-toxic, non-irritating and environmentally safe. However, do not take internally. Refer to Material Safety Data Sheet for additional information. Ultra Block® is a non-carcinogenic processed continuous filament textile glass fiber that may cause skin, eye and respiratory irritation. When applying, wear long sleeves, gloves, cap, goggles or safety glasses and NIOSH/MSHA-approved dust respirator. After use bathe with soap and warm water. Wash clothes separately and rinse after use. Refer to Material Safety Data Sheet for additional information.

**FOR PROFESSIONAL USE ONLY.  
KEEP OUT OF THE REACH  
OF CHILDREN.**

**6. AVAILABILITY AND COST**

Pecora products are available from our plants and warehouses, or from stocking distributors in all major cities. For the name and telephone number of your nearest representative call one of our locations listed below or visit our website.

**7. WARRANTY**

Pecora Corporation warrants its products to be free of defects. Under this warranty, we will provide, at no charge, replacement materials for, or refund the purchase price of, any product proven to be defective when installed in accordance with our published recommendations and in applications considered by us as suitable from this product. This warranty in lieu of any and all other warranties expressed or implied, and in no case will Pecora be liable for incidental or consequential damages.

**8. MAINTENANCE**

If the sealant is damaged and the bond is intact, cut out the damaged area and recaulk. No primer is required. If the bond has been affected, remove the sealant, clean and prepare the joint in accordance with instructions under "Installation".

**9. TECHNICAL SERVICES**

Pecora representatives are available to assist you in selecting an appropriate product and to provide on-site application instructions or to conduct jobsite inspections. For further assistance call our Technical Service Department at 800-523-6688 or 215-723-6051.

**10. FILING SYSTEMS**

- Electronic Spec-Data®
- Spec-Data®II
- Sweet's Catalog File: www.sweets.com
- General Building
  - 07100 Waterproofing
  - 07920 Sealants
  - 08850 Glazing
- Civil Engineering
  - 07100 Waterproofing

**11. FAST FAX Document Codes**

- 1-888-4PECORA (473-2672)**
- Data Sheet 301
  - M. S. D. S. 302

AC-20 FTR®

(Fire & Temperature Rated) Acoustical & Insulation Sealant



**BASIC USES**

• AC-20 FTR® fire-rated systems are suitable for applications in schools, hospitals, churches, high-rise office buildings and hotels, prisons, sports arenas, and other public-use buildings to ensure a safe and orderly evacuation in the event of a fire.

**2. MANUFACTURER**

Pecora Corporation  
165 Wambold Road  
Harleysville, PA 19438  
Phone: 215-723-6051  
800-523-6688  
Fax: 215-721-0286  
Website: www.pecora.com

**3. PRODUCT DESCRIPTION**

AC-20 FTR® is a unique acrylic latex sealant that is UL® Classified in firestopping systems for expansion joints and through penetrations. When properly installed, these systems effectively contain fire, smoke, toxic fumes, and water within a given area surrounded by firewalls for a two, three, or four hour period, depending on the design specifications.

**Other Uses:** Excellent adhesive, flexibility and durability qualities make AC-20 FTR® ideal for insulating and weatherproofing around windows, doors, panels, siding, duct work, base plates, etc. It is compatible with all common building materials including specialties such as polystyrene, polyurethane, cork, vinyl, foamed and fibrous glass.

Used as an acoustical sealant, AC-20 FTR® reduces sound transmission in partition systems to achieve specific STC values by sealing spaces around cut-outs and at perimeters of partitions. The sealant cures to a tough rubber to form a long-lasting acoustical seal.

**PACKAGING**

- 30 fl. oz. (.887 liter) fiber cartridges
- 5-gallon (18.9 liter) pails

**COLOR**

- White, Beige-Gray
- Special colors available in 250-gallon (946 liter) batches.

**4. TECHNICAL DATA**

**Applicable Standards:** ASTM C-834-86 specification for latex sealing compounds.  
**Fire Rated System:** Two-hour Fire and Temperature Rated wall and floor joint systems up to 7" (178mm) wide and four-hour systems up to 4" wide can be designed with AC-20 FTR® in conjunction with Ultra Block fire blocking material in fire-rated walls and floors. Reference: ANSI/UL 263, ASTM E-119, NFPA No. 251.



UNDERWRITERS  
LABORATORIES INC.®  
CLASSIFIED  
JOINT TREATMENT MATERIALS  
FIRE RESISTANCE  
CLASSIFICATION  
DESIGNS J900H (FFS 0006) &  
U900 "O" (WWS 0010),  
J900Z (FFS 2002),  
U900Z-009 (WWS 2008),  
J900Z-007 (FFS 1010),  
U900Z-015 (WWS 1012)

AC-20 FTR® in conjunction with Ultra Block® achieves a 2-hour fire rating when sealing around steel or copper pipe and electrical metallic tubing or steel conduit in through penetration systems. Reference: ANSI/UL 1479, ASTM E-814.

FILL, VOID OR CAVITY MATERIALS  
CLASSIFIED BY  
UNDERWRITERS  
LABORATORIES INC.  
FOR USE IN  
THROUGH-PENETRATION  
FIRESTOP SYSTEM NO. CAJ 1093

In addition to its fire-blocking value, Ultra Block® is very efficient acoustically, having a noise reduction coefficient of .75 and sound transmission coefficient of .5 (Ultra Block® is a registered trademark of Backer Rod Mfg. and Supply Co., Denver, CO, USA.)

**5. INSTALLATION**

**Surface Preparation:** Surfaces must be free of all contamination. Sealant may be applied to damp, porous surfaces. No priming is required.

**Application:** Refer to Pecora Firestopping Manual 07270 and UL Fire Resistance Directory for installation details on fire-rated joint and through penetration systems. For insulating and weatherproofing purposes, fill all window, door, and panel perimeter joints using a resilient backer rod to control sealant depth to 1/2" (13mm) maximum. For best results, protect sealant from excessive low temperatures and apply above 40°F (4°C). For acoustical purposes, apply continuous

TYPICAL PHYSICAL PROPERTIES

Test Property	Value	Procedure
Modulus @ 100% (psi)	15-20	ASTM D412
Ultimate Tensile (psi)	30-40	ASTM D412
Ultimate Elongation (%)	400-500	ASTM D412
Movement Capability (%)	±7 1/2	ASTM D412



**HARLEYSVILLE, PA**  
165 Wambold Road, Harleysville, PA 19438  
Phone: 800-523-6688 • 215-723-6051 • FAX: 215-721-0286

**DALLAS, TX**  
11501 Hillguard Road, Dallas, TX 75243  
Phone: 800-233-9754 • 214-348-5313 • FAX: 214-348-5421

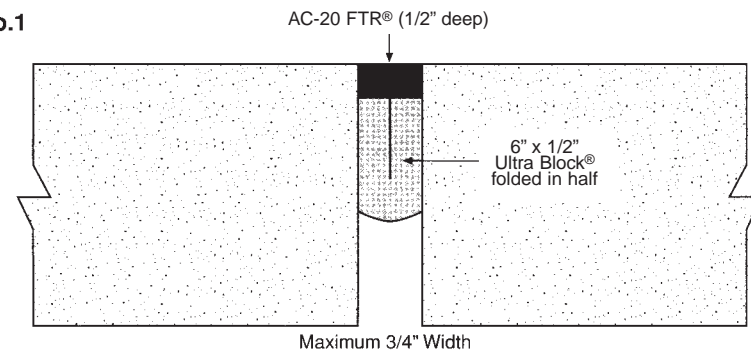
www.pecora.com

PEOPLE • PRODUCTS • PERFORMANCE

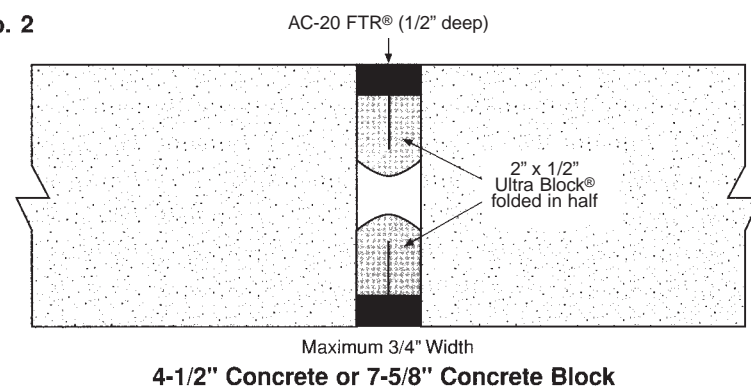
**AC-20 FTR® - ULTRA BLOCK® UL Rated Wall and Floor Expansion Joint & Safing Joint Systems (ASTM E119/UL 263)**

**DESIGN Nos. J 900 H (FFS 0006) & U 900 "0" (WWS 0010)  
Assembly Rating - 2 hours**

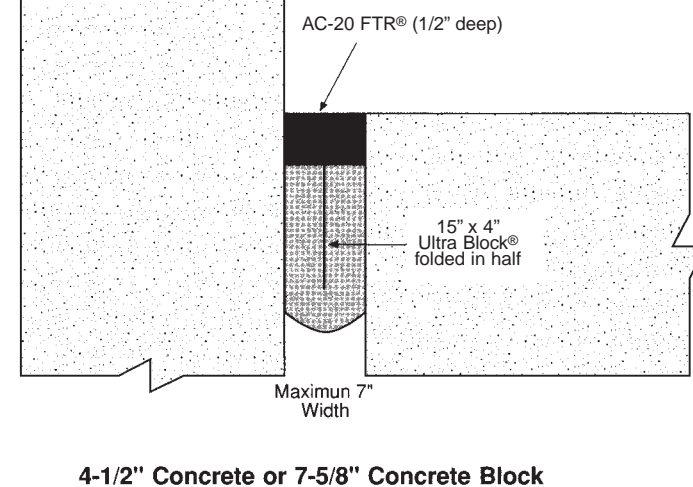
CONFIGURATION No.1



CONFIGURATION No. 2

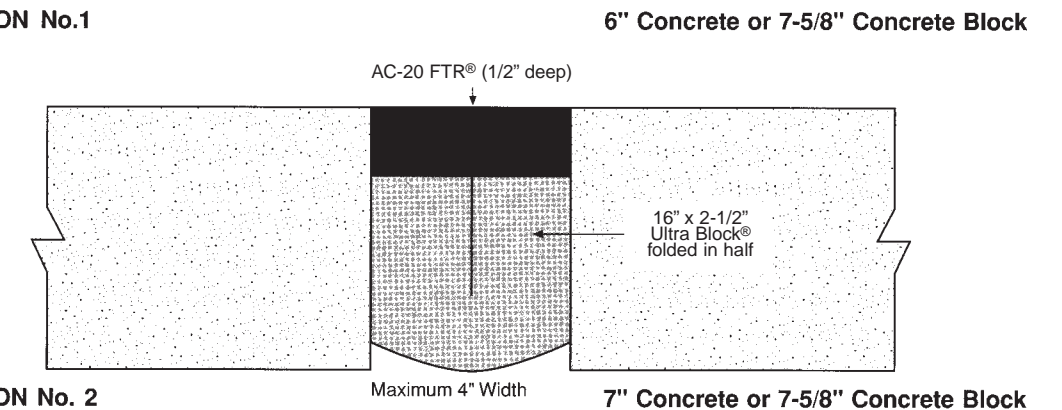


**DESIGN Nos. J 900 H (FFS 2002) and U 900 Z 009 (WWS 2008)  
Assembly Rating - 2 hours**

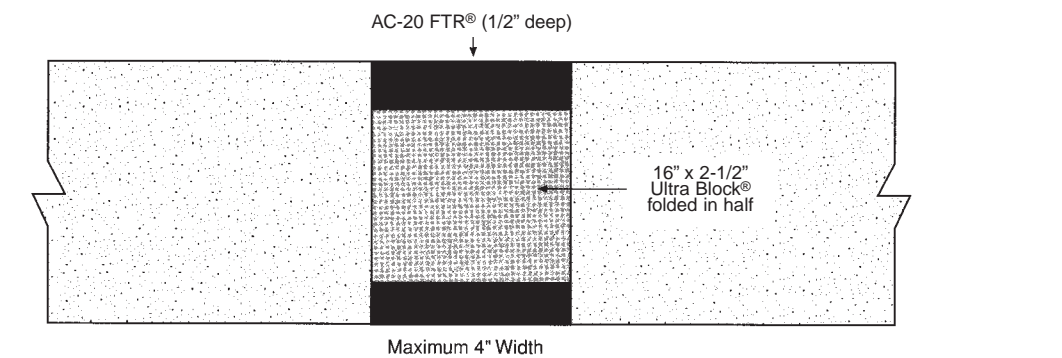


**DESIGN Nos. J 900 Z 007 (FFS 1010) & U 900 Z 015 (WWS 1012)  
Assembly Rating - 4 hours**

CONFIGURATION No.1



CONFIGURATION No. 2



**AC-20 FTR® - ULTRA BLOCK® UL Rated Through Penetration Firestop System (ASTM E814/UL 1479)**

**DESIGN Nos. CAJ -1093  
Assembly Rating - Fire - 2 hours  
Temperature - Copper Tubing, 0 Hours, Steel Pipe & Metallic Tubing 1/4 Hours**

