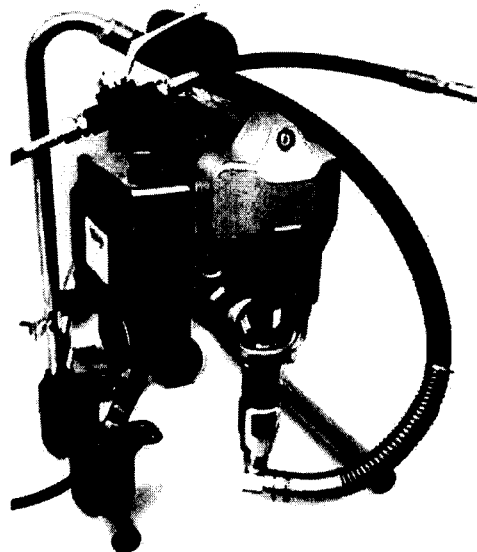


# WEBAC IP395 PRO

# PROFESSIONAL ELECTRIC PISTON PUMP INJECTION SYSTEM

WEBAC IP395 PRO

- Electronically Controlled
- Preadjust Pressure
- Automatic Shut-Off
- Complete Set
- Single Component
- 3000 PSI, 210 BAR
- Piston System
- Suction Tube
- Mounted on Stand
- Reliable, Easy to Use, Easy to Clean

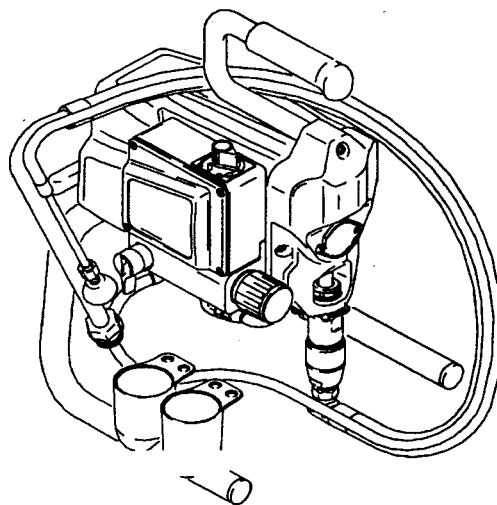


Powerful customized injection pump for WEBAC injection grouts and selected epoxies made by a leading U.S. manufacturer. This complete stand mounted piston pump system features suction tube material pick-up, high pressure hose with shut-off valve and zerk coupler tip for safe and easy connection to the WEBAC packer system. The pressure gauge and the large control button make pressure adjustments easy. The pump automatically shuts-off when the desired pressure is reached and restarts pumping when the pressure drops. This feature keeps noise levels at a minimum and prolongs the life of the motor and mechanical parts.

WEBAC  
TOUGH

### Technical Data:

System	: Displacement Pump
Max. Pressure	: 3000 psi
Weight	: 48 lbs, 17kg
Power	: 120VAC, 60HZ, 15A
Delivery	: ~0.5gpm, ~1.9l/min



MEMBER  
INTERNATIONAL  
**CONCRETE REPAIR**  
INSTITUTE

PRODUCT WARRANTY: WEBAC AMERICA CORP. PRODUCTS ARE WARRANTED UNDER THE FOLLOWING POLICY:  
ALL RECOMMENDATIONS, STATEMENTS AND TECHNICAL DATA HEREIN ARE BASED ON TESTS WE BELIEVE TO BE RELIABLE AND CORRECT, BUT ACCURACY AND COMPLETENESS OF SAID TESTS ARE NOT GUARANTEED AND ARE NOT TO BE CONSTRUED AS A WARRANTY EITHER EXPRESSED OR IMPLIED. USER SHALL RELY ON HIS OR HER OWN INFORMATION AND TESTS TO DETERMINE SUITABILITY OF THE PRODUCT FOR THE INTENDED USE AND USER ASSUMES ALL RISK AND LIABILITY RESULTING FROM HIS OR HER USE OF THE PRODUCT. SELLER'S AND MANUFACTURER'S SOLE RESPONSIBILITY SHALL BE TO REPLACE THAT PORTION OF THE PRODUCT OF THIS MANUFACTURER WHICH PROVES TO BE DEFECTIVE. NEITHER SELLER NOR MANUFACTURER SHALL BE LIABLE TO THE BUYER OR ANY THIRD PERSON FOR ANY INJURY, LOSS OR DAMAGE DIRECTLY OR INDIRECTLY RESULTING FROM USE OF OR INABILITY TO USE THE PRODUCT. RECOMMENDATIONS AND STATEMENTS OTHER THAN THOSE CONTAINED IN A WRITTEN AGREEMENT SIGNED BY AN OFFICER OF THE MANUFACTURER SHALL NOT BE BINDING UPON THE MANUFACTURER OR SELLER. WAC200012-IP395PRO